



LCT-20

The LCT-20 "Lazar Cap Torque" is a heavy duty machine designed for tightening caps and pump/trigger sprayers. This machine is mostly used to re-torque caps that have "backed off" after induction sealing. It is also suitable to torque hand placed caps, spray pumps or trigger sprayers.

No tools required- The LCT-20 is adjusted by hand knobs/cranks and simple variable motor speed controls.

Portable- This machine is mounted on casters and can be moved from line to line.

Reliable- Designed to last many years free of trouble with a high degree of torque accuracy.

Options- Trigger/pump pedal guide. Bottle spacing unit. Back-log protection. Gripper chain with rubber blocks.

Maximum Speed: 300 cpm
Cap Size: 8-120mm
Container Size: 1-1/2 gallon
Electrical Specifications: 120/240 Volt, 1 phase,
50/60 hertz
Machine Dimensions: 38 W x 43 L x 70 H

Other Options:

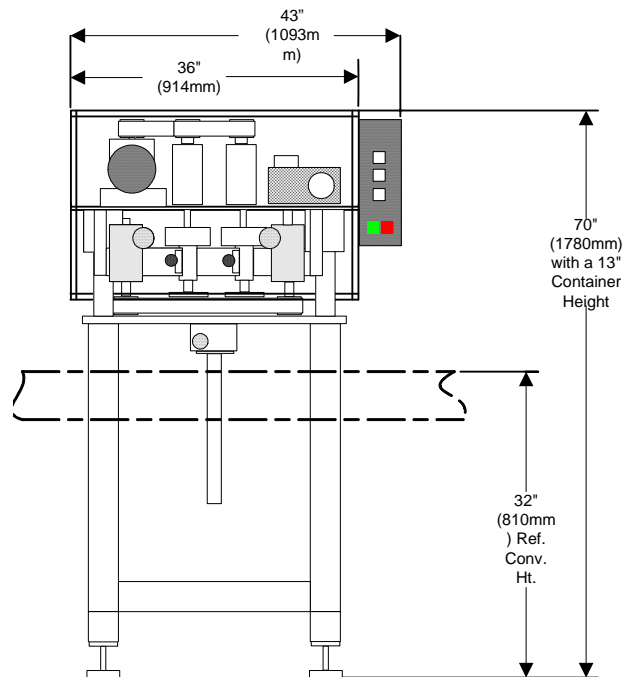
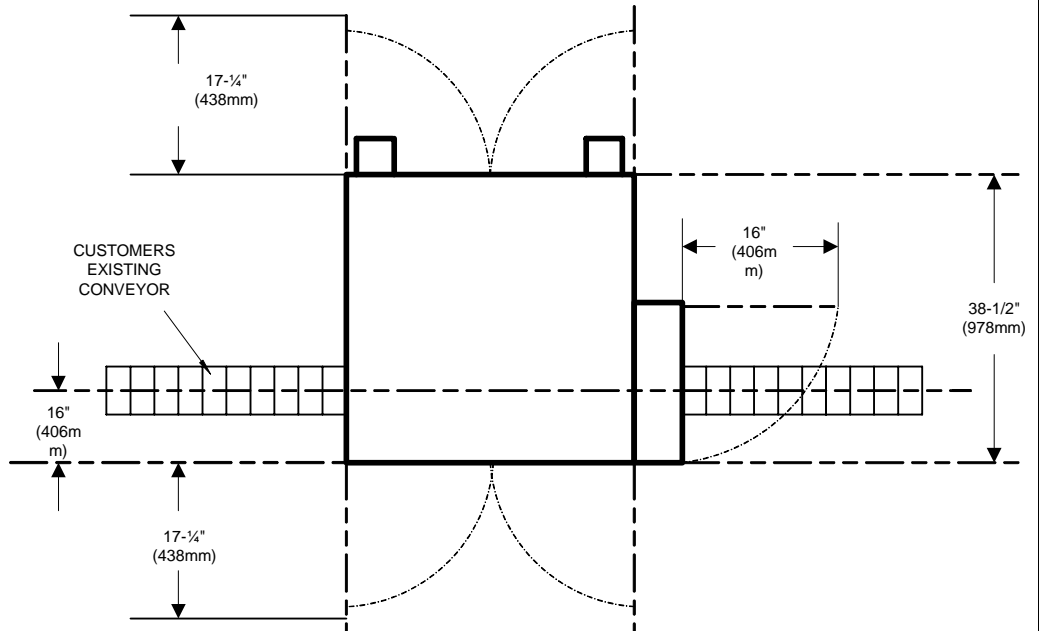
- **Torque Sense** Cap torque monitor
- **Cap Sense** Skewed or missing cap sensors
- **Conveyor** Table-top with variable speed drive
- **Digital Potentiometer** Read-out for accurate settings

Lazar Tech reserves the right to change specifications.

39 Evergreen Street
 Hazlet, New Jersey 07730
 Tel: (732)-739-9622
 Fax: (732)-739-9610
 www.LazarTechnologies.com

TOP OF MACHINE
Product Flow →

LCT-20



FRONT OF MACHINE
Product Flow →